



Flodis

Single jet turbine type water meter

Flodis is single jet turbine type meter, designed to measure cold drinking water, offering the capability to measure accurately a wide range of flow rates.

FEATURES AND BENEFITS

- » Single jet for severe installation conditions
- » Wide measuring range
- » Patented measuring chamber
- » Pre-equipped for communication

The Technology

Flodis has one of the simplest but highly engineered design, that enables to measure accurately over time from very low flow rates up to peak flows, even in severe environmental conditions when in service.

Reliability-Durability

- » Proven stable accuracy in tough installation conditions and high turbidity water. Flodis has been in service for our main customers for over 10 years now.
- » Millions of Flodis are currently in service around the world in many different climate conditions, always offering shortest return of investment over time.

- » The high quality of pivoting and levitation of the balanced turbine ensures exceptional endurance
- » The turbine is the only dynamic part in contact with water, offering the well-known durability of the product.
- » No need for adjustment due to its design and high technology implemented in manufacturing

Easy Reading

Flodis register combines the following advantages:

- » Rotation close to 360° on site
- » Large numbered rollers with good contrast for excellent reading capability
- » Wiper ensuring readability of the extra-dry register in tough humid conditions
- » The Copper Can register version assures water tightness in permanent immersion conditions

Communication Device

- » Pre-equipped for communication through Cyble.

Approvals and Standards

Flodis is certified from Q3 1,6 to 10 m³/h from Ratio 63 to 200 according with:

- » MID, Directive 2014/32/EU of the European Parliament
- » International Standard ISO 4064 - 2017
- » Recommendation OIML R49 - 2013

Flodis is compliant with regulations for products to use in contact with water intended for human consumption.



Copper Can register for permanent immersion

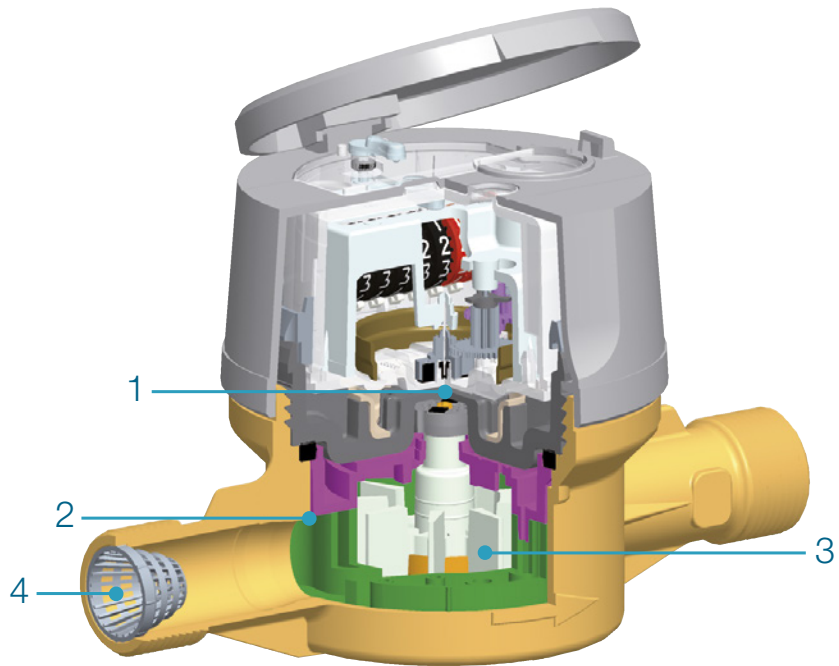
WORKING PRINCIPLE

Flodis has two main components; the hydraulic that allows measurement of the water flow and the register that displays the measured water volume. Transmission interface between those components is achieved by a magnetic coupling **1**. Flodis is a single jet velocity meter. Flow coming from the inlet, diverted by a specially shaped injector **2** drives the turbine **3**. This technology is suitable for all types of distribution water quality.

Equipped with an upstream filter **4**, Flodis is protected against impurities accidentally conveyed by water. The magnetic coupling transmission, standard on the Flodis line, is accompanied by an extra-dry register. Both gears and register are in a waterproof and air proof enclosure. The turbine is the only moving part of the meter in motion in water.



Radio Frequency Cyble module fitted on Flodis meter



Radio Frequency Cyble module integrated in Flodis closure cap

COMMUNICATION

Flodis is supplied pre-equipped with Cyble Target Allows communication and remote reading through:

- » Pulse output (Cyble Sensor)
- » M-Bus protocol (Cyble M-Bus)
- » Radio frequency wireless link for mobile and fixed network (AnyQuest and EverBlu)

(please refer to specific leaflet)

Key Advantages of Cyble Technology

- » No need for additional investment on the meter to implement remote reading
- » Itron standardized meter interface, irrespective of meter technology and widely spread on Itron water meters range
- » Leakage detection
- » Reverse flow management
- » Consumption profile analysis
- » Immune to magnetic tampering
- » Principle proven on the field with a 20 years experience

Technical Specifications

Meter Capacity	mm	15	20	25	32
	inches	½"	¾"	1"	1" ¼

In compliance with MID - (2014/32/EU)

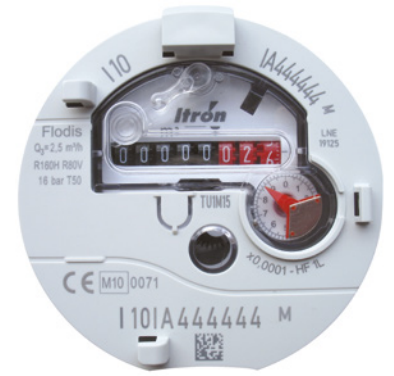
MID type Approval Number		LNE 19130	LNE 19864	LNE 23704			
Nominal Flow Rate (Q3)	m³/h	1.6	2.5	2.5	4	6.3	10
Standard Ratio Horizontal (*) (Q3/Q1)		100	200**	100	160	200	200
Minimum Flow Rate (Q1)	l/h	16	12.5	25	25	32	50
Transitional Flow Rate (Q2)	l/h	25.6	25	40	40	50	80
Overload Flow Rate (Q4)	m³/h	2	3.1	3.1	5	8	12.5
Pressure Loss Class at Q3	bar	0.25	0.63	0.25	0.63	0.63	0.63
Maximum Admissible Pressure (MAP)	bar	16					
Sensitivity Class		UoDo					
Operating Temperature (T)	°C	0.1 / 50					
Climatic Environment	°C	5 / 55				10 / 70	

(*) Other Ratios available under specific request

(**) Composite version available Q3 = 2,5 R 160

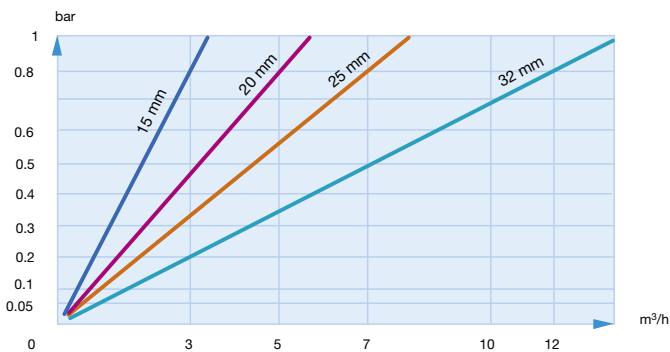
Other Characteristics

Indication Range		99999.999					
Minimum Scale Interval		0.02					
Typical Starting Flow Rate	l/h	4	6	10	12		
Testing Pressure	bar	25					
Communication pre-equipment		Cyble Technology					



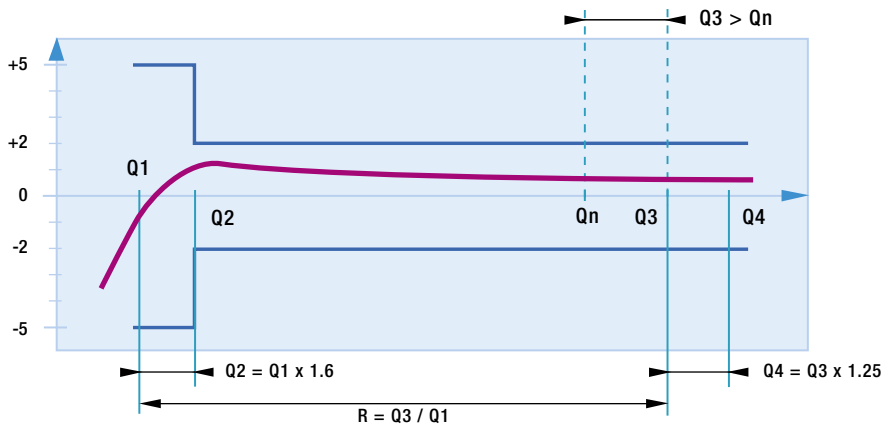
Flodis indicator MID marking

HEAD LOSS



Flodis DN32

TYPICAL ACCURACY CURVE, FLODIS RANGE

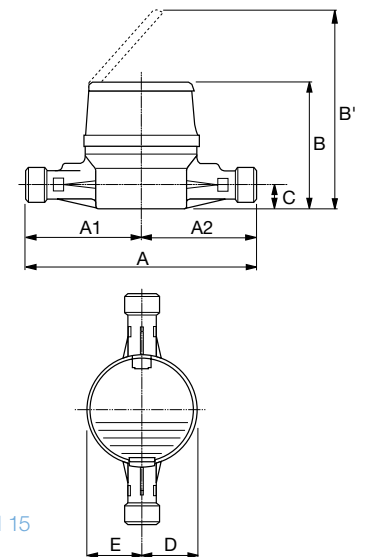


The dynamic range is defined as the Ratio (R) between the nominal and the minimum flowrate. The MID approval proves the Flodis real capacity to withstands to higher nominal flows ($Q3 > Qn$).

Dimensions and Weight

Nominal diameter (DN)	mm	15	20	25	32
Meter thread	inches	G 1/2"	G 3/4"	G 1"	G 1 1/4"
	mm	20 x 27	26 x 34	33 x 42	40 x 49
A	mm	110 - 170*	130 - 190	260	260
A1	mm	55 - 85	72 - 95	110	110
A2	mm	55 - 85	58 - 95	150	150
B	mm	104	123	130	130
B'	mm	183	203	210	210
C	mm	21.5	22.5	39	39
D	mm	46	64	64	67
E	mm	46	28	28	25
Weight Kg	Kg	0.75 - 0.9	0.85 - 1.1	2	2.2
F (additional height with module)	mm		42		

* Other available lengths 115, 145, 165 mm (G 3/4"), 115 mm (G 3/4" 7/8") and 165, 190 mm (G 1").



DN 15

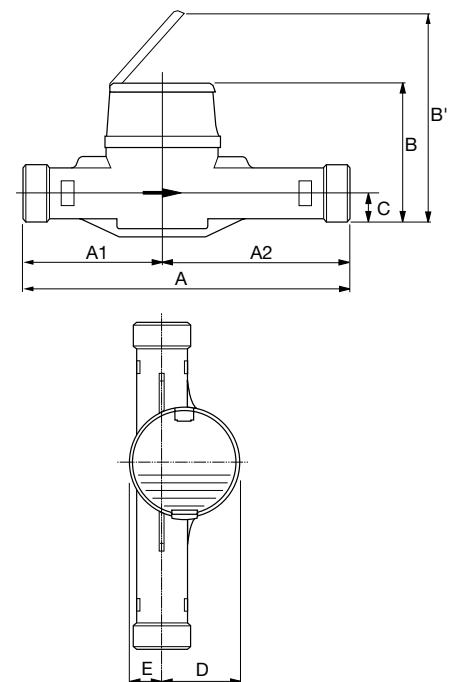
Pulse Value

Nominal diameter (DN)	HF Signal	LF Signal (according to K factor for Cyble Sensor Module)						
		K=1	K=2.5	K=10	K=25	K=100	K=1000	
Meter range		1L	1L	2.5L	10L	25L	100L	1000L
DN 15 to 32	1L	1L	2.5L	10L	25L	100L	1000L	

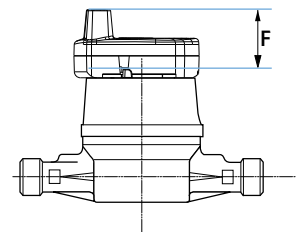
OPTIONS (NON EXHAUSTIVE LIST)

Flodis meters may be fitted with:

- » Copper can register in case of installation in humid environment
- » Non return-valve for outlet pipe
- » Removable cap
- » Equipped with cyble modules from the factory



DN 20, 25 and 32



With Cyble module mounted



Join us in creating a more **resourceful world**.
To learn more visit **itron.com**

While Itron strives to make the content of its marketing materials as timely and accurate as possible, Itron makes no claims, promises, or guarantees about the accuracy, completeness, or adequacy of, and expressly disclaims liability for errors and omissions in, such materials. No warranty of any kind, implied, expressed, or statutory, including but not limited to the warranties of non-infringement of third party rights, title, merchantability, and fitness for a particular purpose, is given with respect to the content of these marketing materials. © Copyright 2018 Itron. All rights reserved. **WA-0006.5-EN-06.18**

ITRON WATER METERING

9, rue Ampère
71031 Mâcon cedex
France

Phone: +33 3 85 29 39 00
Fax: +33 3 85 29 38 58